



VD150 – Semi Automatic Filling Machine

Semi Automatic Filling Machines and Depositors for any kind of liquids, viscous and paste products with particulates inside with a filling range starting from 5 ml. up to 20.000 ml. into glass, plastic and tin packages for Food, Cosmetics, Chemical, Paint, Milk, Pharmaceutical and Bakery Industries.

This model has an optional double jacketed hopper which is preferred for the hot filling process.

Interchangeable nozzles for liquid and semi liquid products with an anti-dropping system.

Works with a pneumatic system.

Primes the product from its' stainless steel hopper above.

There is a height adjustable platform on the filler.

The seals are manufactured from Teflon ,Viton or polyethylene according to the product to be filled.

The parts on the machine are connected by tri –clamps.

The nozzle, main valve and the filling piston are designed for easy-cleaning.

They can be dismantled easily without using any tools.

High surface smoothness and argon arc welding technology prevents bacteria growth.

The machine stands on a stainless steel frame which is supported by 4 castors, so it can be easily moved.

Easy to adjust and record the filling range by the numerator and the hand wheels.

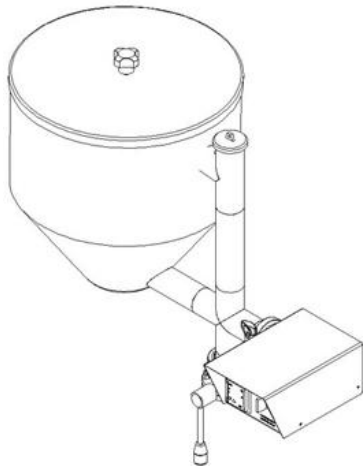
A detailed instruction manual for each model is available.



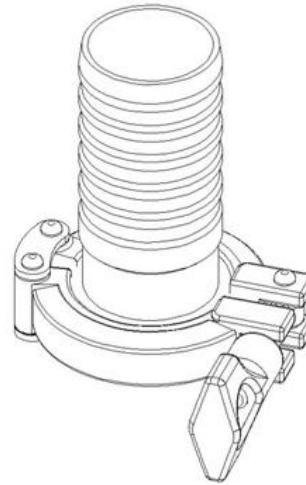


Optional Accessories

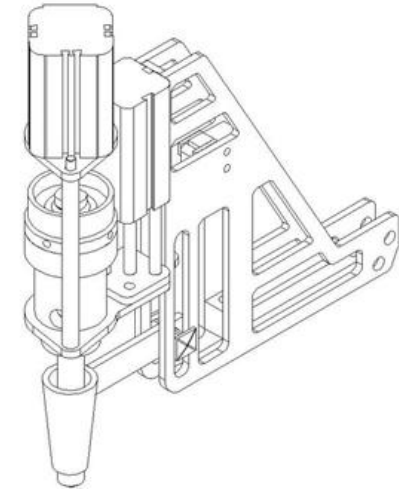
30 litre Double Jacketed Hopper with Lid



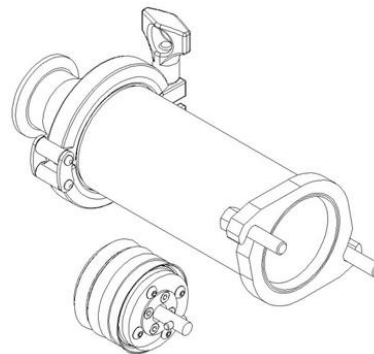
Hose Connector



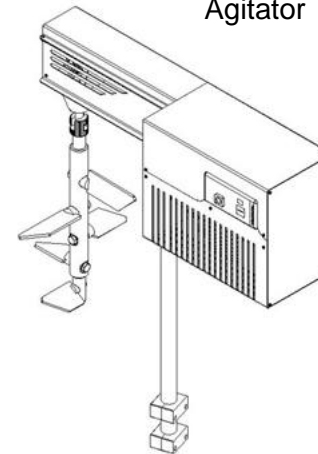
Nozzle Dive



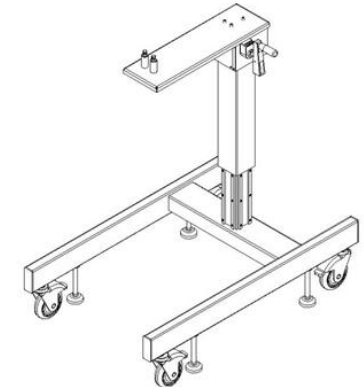
Filling & Sealing Head



Agitator



Adjustable Height Frame



Yoghurt & Yeast Nozzle

