



## VD5000 – Semi Automatic Filling Machine

The VD series of filling machines are best suited for viscous products e.g. pastes, semi-pastes, chunky or with large particles.

This model has an optional double jacketed hopper which is preferred for hot filling process.

Interchangeable nozzles for liquid and semi liquid products with an anti-dropping system.

Works with a pneumatic system.

Primes the product from the storage tank directly.

There is a height adjustable platform on the filler.

The seals are manufactured from Teflon, Viton or polyethylene according to the product to be filled.

The parts on the machine are connected by tri-clamps.

The nozzle, main valve and the filling piston are designed for easy-cleaning.

They can be dismantled easily without using any tools.

High surface smoothness and argon arc welding technology prevents bacteria growth.

The machine stands on a stainless steel frame which is supported by 4 castors, so it can be easily moved.

Easy to adjust and record the filling range by the numerator and the hand wheels.

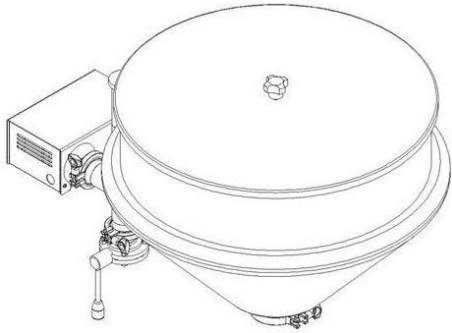
A detailed instruction manual for each model is available.



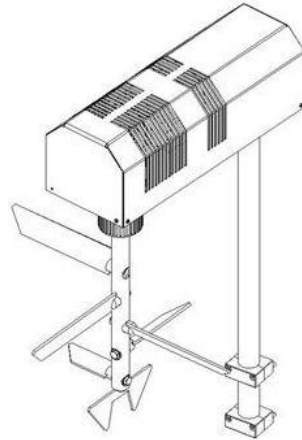


### Optional Accessories

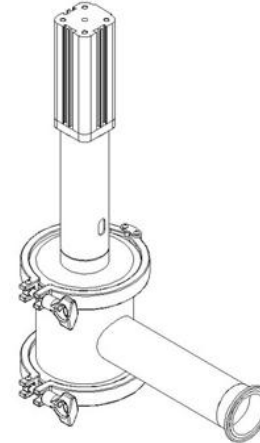
80 Litre Double Jacketed Hopper



Agitator



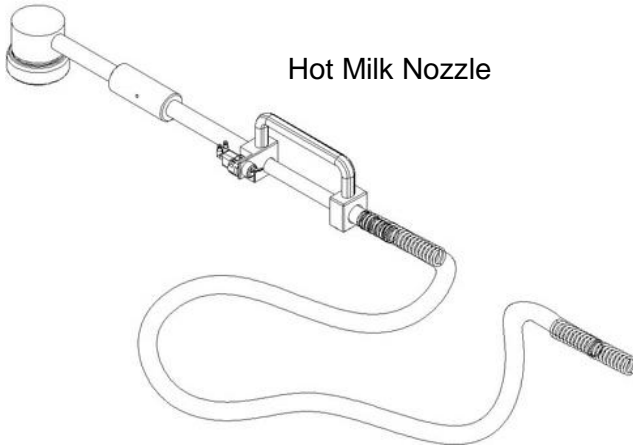
Paint Nozzle



Liquid Anti-Dropping Nozzle



Hot Milk Nozzle



Adjustable Height Table

